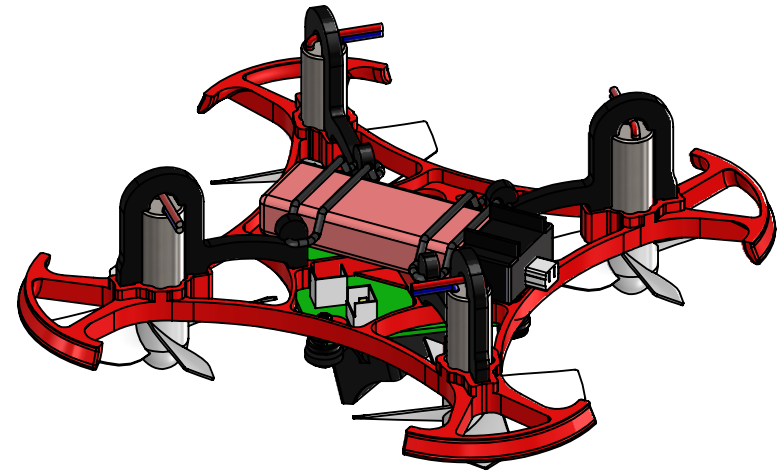
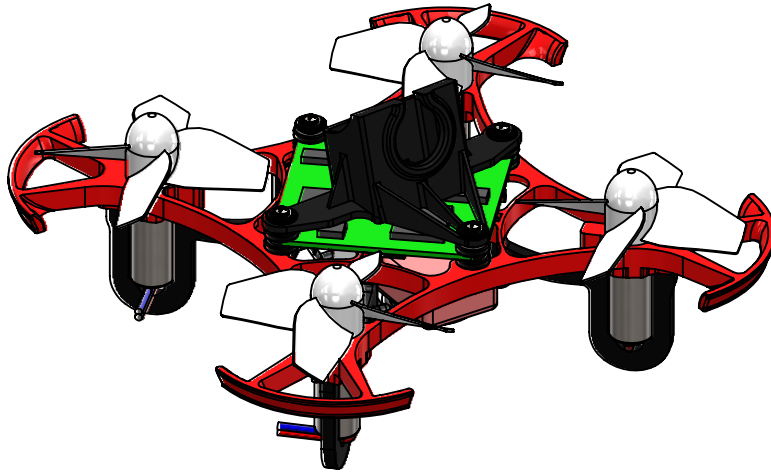


# PIKA 65 FPV RACER - USER MANUAL



## **SPECIFICATIONS:**

**Weight:** Frame: 3.3g, total weight with FPV Camera mount: 4.0g

**Materials:** Plastic.

**Size:** 65mm.

**Maximum propeller:** 31 mm.

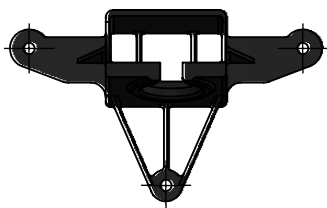
**Motor mount:** 6x15 mm.

**Flight controller mount:** 29mm x 29mm.

LYNX

# PIKA 65 FPV RACER - USER MANUAL

## PACKAGE LIST PART



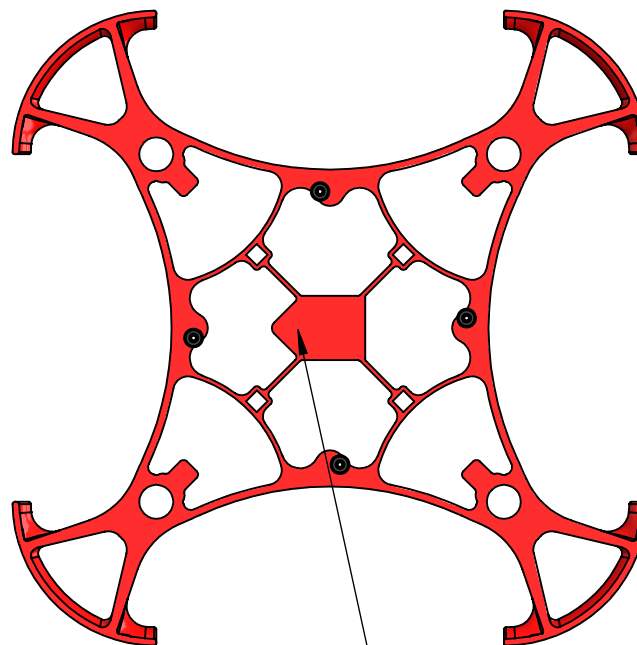
Super mini AIO Camera 5.8G 40CH  
for FPV Drone 15 D FPV CAMERA  
MOUNT PTU (BLACK)



4 x Washer  $\text{Ø}4 \times \text{Ø}1 \times 0.5$

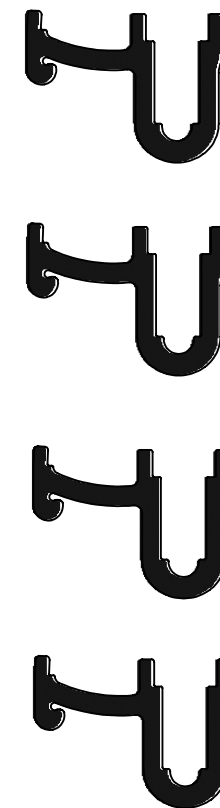


4 x M1x3 PANS Head Screw Silver



Fly Direction REF

Pika 65-Main Frame Pre-  
Assembly with Shourd and  
FC Mount



4 x Motor Mount

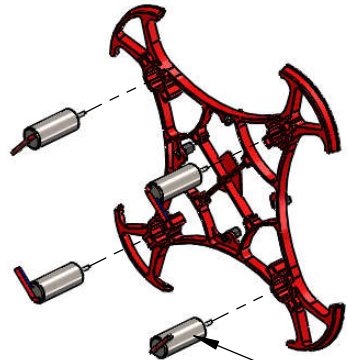


2 x O-Ring ID 12 - W 1



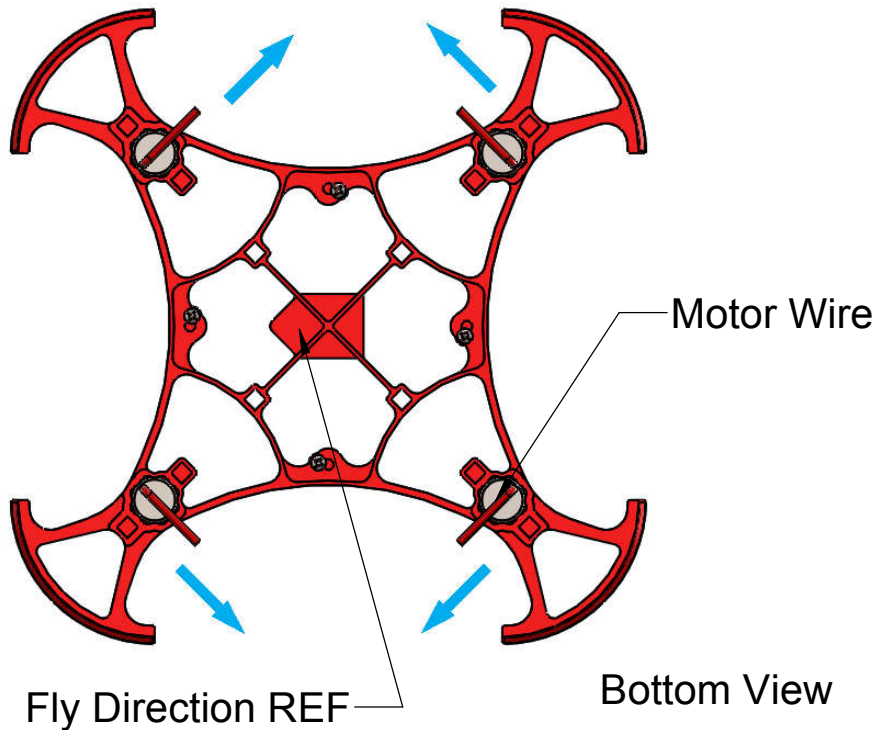
# PIKA 65 FPV RACER - USER MANUAL

## Step 01: Motor Assembly

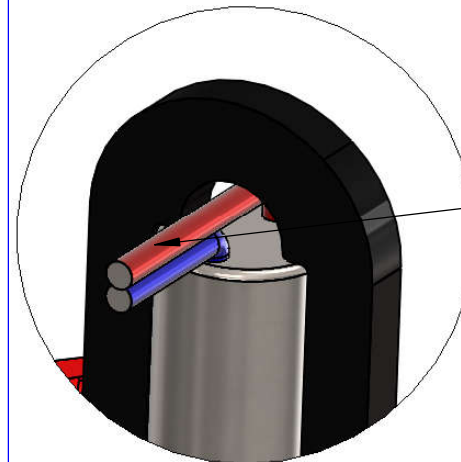


4 x Motor 6x15 mm  
(18500/19000 KV suggest)

Note: Rotate Motor in order Electric Wire will follow the arrow, as shown



## Step 02: Motor Mount Assembly



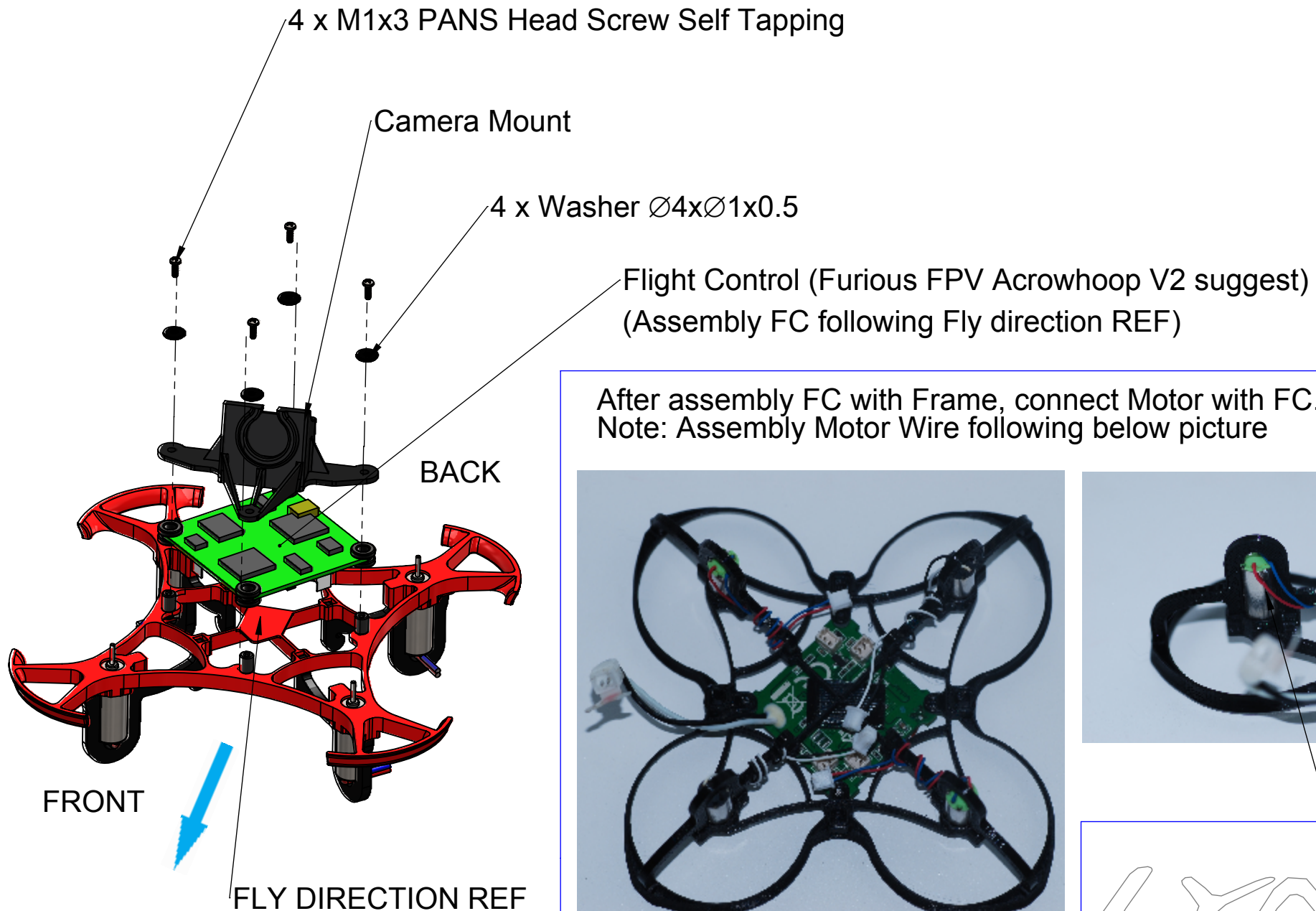
Note 1: Pay attention Motor Wire position to avoid short circuit or pinching

Note 2: Carefully press fit all 12 Motor Mount pins into Frame sockets

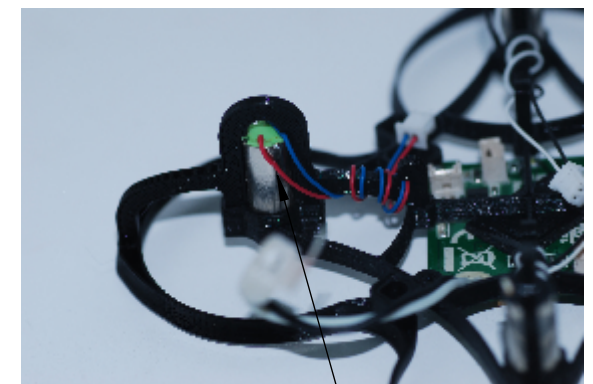
LYNX

# PIKA 65 FPV RACER - USER MANUAL

## Step 03: Flight Control Assembly



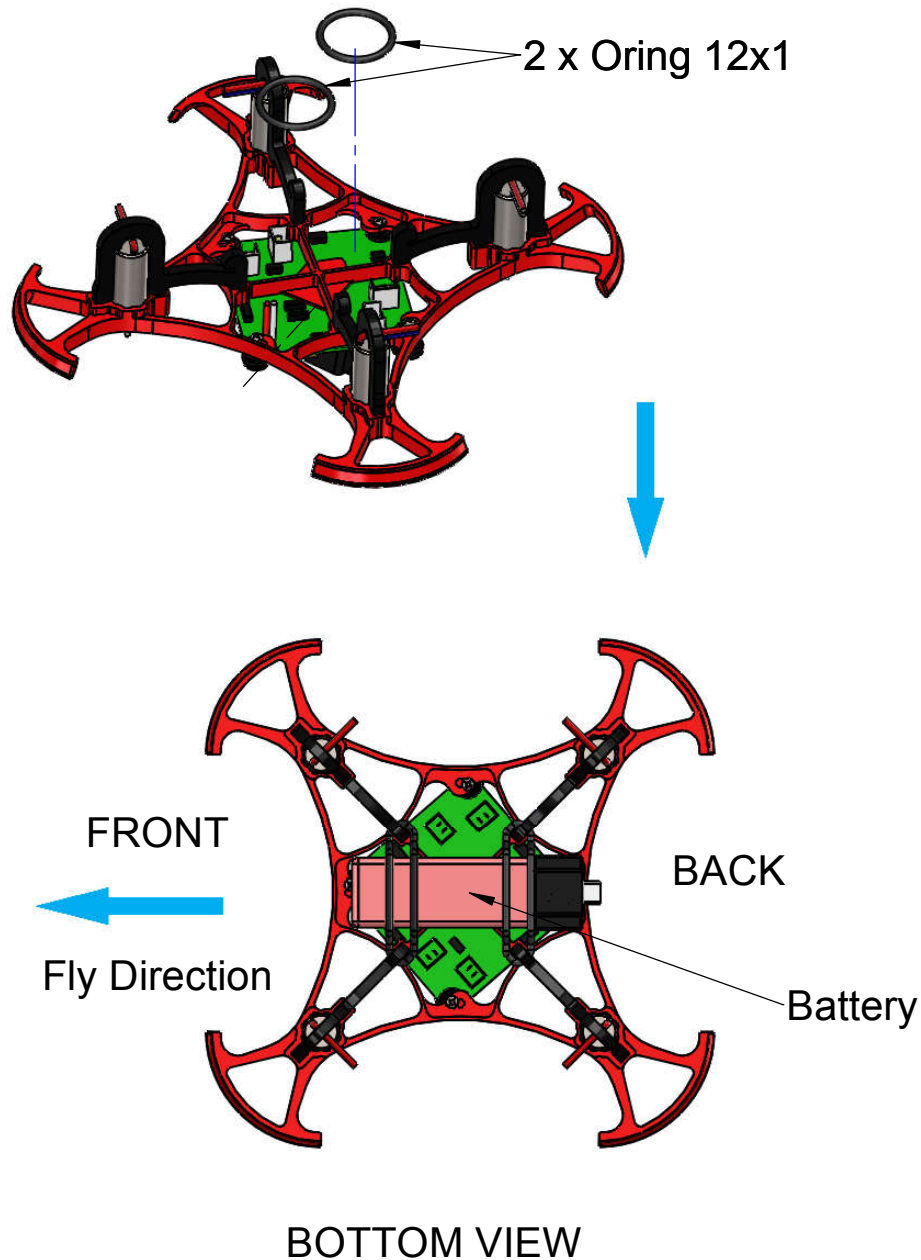
After assembly FC with Frame, connect Motor with FC.  
Note: Assembly Motor Wire following below picture



LYNX

# PIKA 65 FPV RACER - USER MANUAL

## Step 04: O-Ring Battery Support Assembly



## Step 05: Propeller Assembly

2 x CW propeller

2 x CCW propeller

